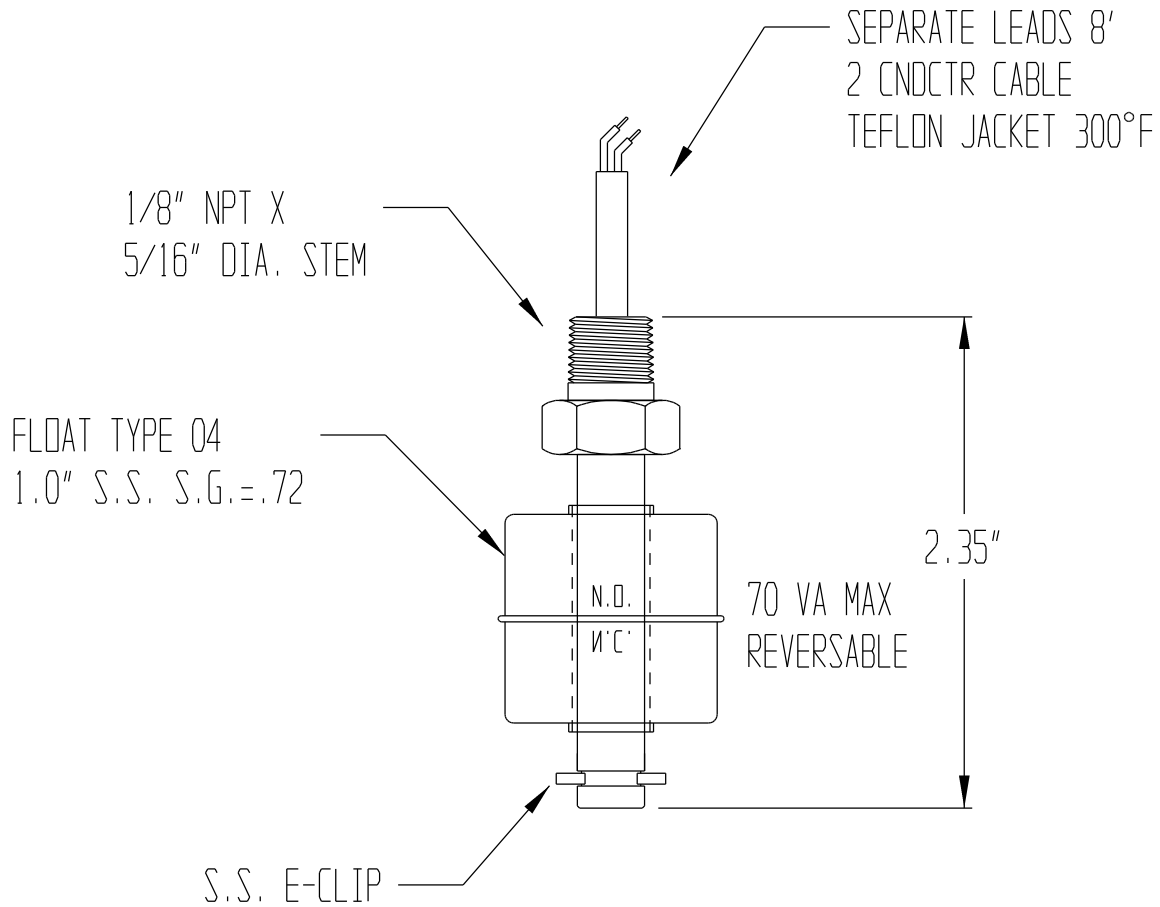


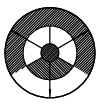
SERIES 1 STAINLESS



PLEASE NOTE:

THIS DRAWING AND SPECIFICATION IS THE PROPERTY OF INNOVATIVE COMPONENTS AND IS TO BE USED SOLELY AS A TECHNICAL REFERENCE BY INNOVATIVE COMPONENTS' CUSTOMERS. ANY REPRODUCTION OR DISTRIBUTION WITHOUT WRITTEN PERMISSION IS PROHIBITED.

SIGNATURE OF APPROVAL	DATE
PRINT: _____	_____
SIGN: _____	_____

	INNOVATIVE COMPONENTS 635 OLD TURNPIKE ROAD PLANTSVILLE, CT. 06479	
	TITLE: STAINLESS STEEL SINGLE LEVEL	
MODEL: LS 11-041	DRAWN BY: F. J. K DATE: 08/04/97	
STOCK: 91929	SHEET: 1 OF 1 SCALE: NONE	
FILENAME: C:\CK7\PR\LS-11040\91929A		REV:

STANDARD
TOLERANCES
.000 = ± .010
.00 = ± .050
.0 = ± .100
0 = ± .200
ANGLES ± 5°
TEMP ± 5°C