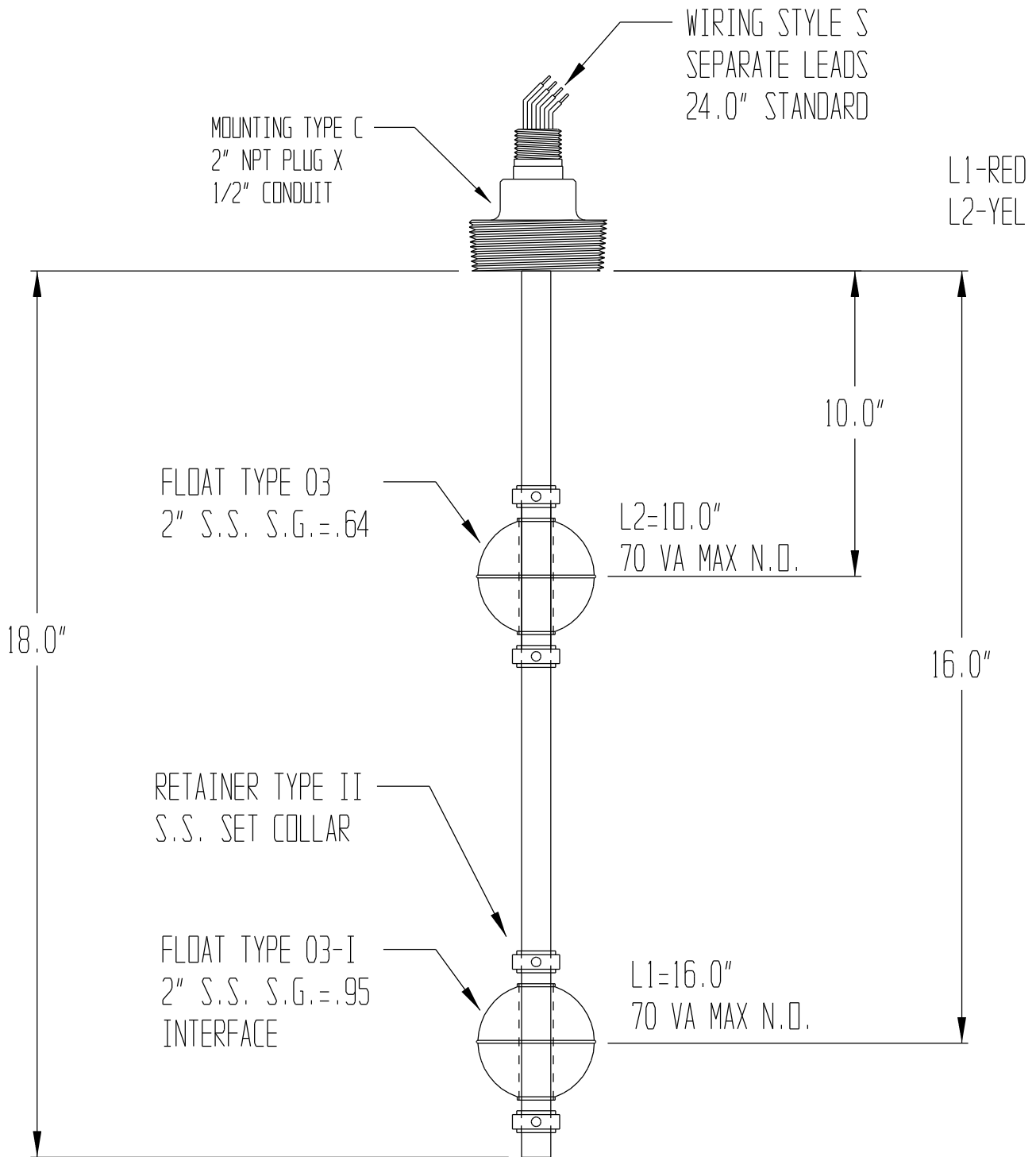


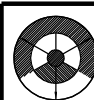
STAINLESS STEEL MULTI-LEVEL



PLEASE NOTE:

THIS DRAWING AND SPECIFICATION IS THE PROPERTY OF INNOVATIVE COMPONENTS, LLC. AND IS TO BE USED SOLELY AS A TECHNICAL REFERENCE BY INNOVATIVE COMPONENTS' CUSTOMERS. ANY REPRODUCTION OR DISTRIBUTION TO THE CONTRARY IS PROHIBITED.

SIGNATURE OF APPROVAL	DATE
PRINT: _____	_____
SIGN: _____	_____



INNOVATIVE COMPONENTS

635 OLD TURNPIKE ROAD
PLANTSVILLE, CT. 06479

STANDARD TOLERANCES .000 = ± .010 .00 = ± .050 .0 = ± .100 0 = ± .200 ANGLES ± 5° TEMP ± 5°C	TITLE: WEBSITE	
	MODEL: 21-C-0322-I	DRAWN BY: F.J.K
	STOCK: 92738	DATE: 04/12/01
	FILENAME: C:\CK7\PR\21C-0322	SHEET: 1 OF 1 SCALE: NONE
	REV:	